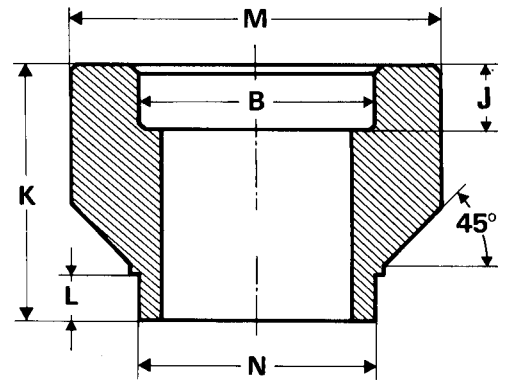
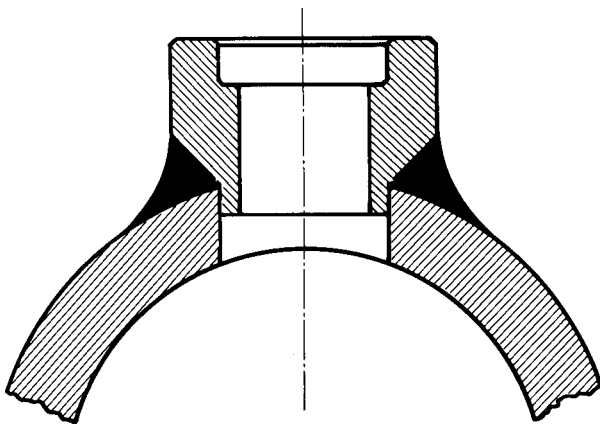


# ANSI B 16.11

Welding Bosses  
3000 / 6000 Lbs

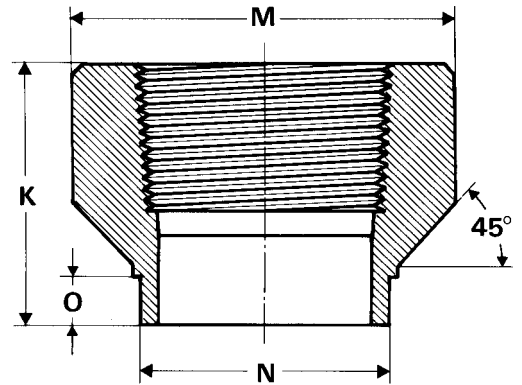
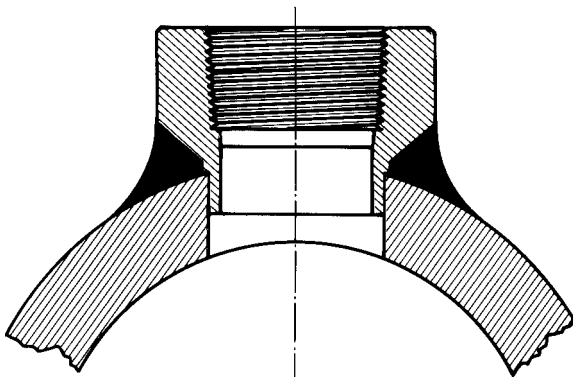


From 1/4" to 2" L= 9.5mm

Nominal Pipe Size	3000 -6000					
	K		M		N	
	mm	inches	mm	inches	mm	inches
1/4	30.5	1.20	28.0	1.10	14.0	0.55
3/8	30.5	1.20	32.0	1.26	17.4	0.69
1/2	33.5	1.32	38.0	1.50	21.6	0.85
3/4	35.0	1.38	44.5	1.75	26.9	1.06
1	43.0	1.69	57.5	2.26	33.6	1.32
1.1/4	48.0	1.89	63.5	2.50	42.4	1.67
1.1/2	51.0	2.00	76.1	3.00	48.5	1.91
2	57.5	2.26	92.0	3.62	60.9	2.40

# ANSI B 16.11

Welding Bosses  
3000 / 6000 Lbs



Nominal Pipe Size	3000 - 6000					
	K (1)		M (1)		N (1)	
	mm	inches	mm	inches	mm	inches
1/4	30.5	1.20	28.0	1.10	14.0	0.55
3/8	30.5	1.20	32.0	1.26	17.4	0.69
1/2	33.5	1.32	38.0	1.50	21.6	0.85
3/4	35.0	1.38	44.5	1.75	26.9	1.06
1	43.0	1.69	57.5	2.26	33.6	1.32
1.1/4	48.0	1.89	63.5	2.50	42.4	1.67
1.1/2	51.0	2.00	76.1	3.00	48.5	1.91
2	57.5	2.26	92.0	3.62	60.9	2.40