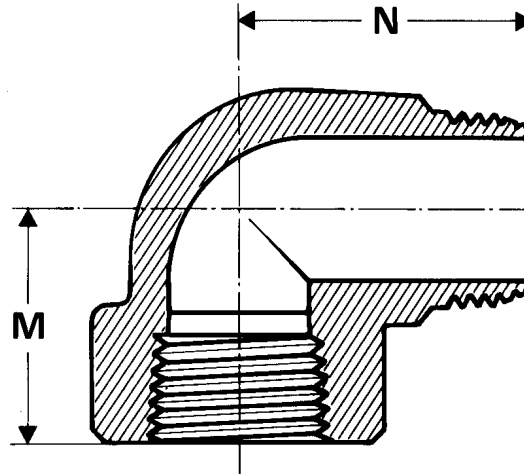


ANSI B 16.11

90 degrees Street Elbows
3000 / 6000 Lbs



Nominal Pipe Size	3000				6000			
	M (1)		N (1)		M (1)		N (1)	
	mm	inches	mm	inches	mm	inches	mm	inches
1/4	24.6	0.97	26.5	1.05	28.5	1.12	32.0	1.26
3/8	28.5	1.12	32.0	1.26	33.5	1.31	35.5	1.39
1/2	33.5	1.31	35.5	1.39	38.0	1.50	41.0	1.61
3/4	38.0	1.50	41.0	1.61	44.5	1.75	50.0	1.97
1	44.5	1.75	50.0	1.97	50.8	2.00	61.0	2.40
1.1/4	50.8	2.00	61.0	2.40	57.5	2.27	70.0	2.75
1.1/2	57.5	2.27	70.0	2.75	63.5	2.50	82.5	3.25
2	63.5	2.50	82.5	3.25	82.5	3.25	110.0	4.33