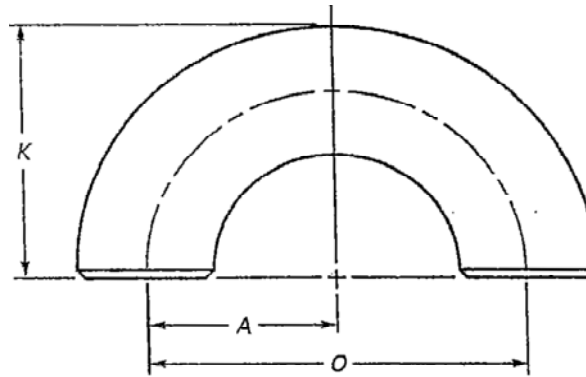


180° Return Bends Long Radius

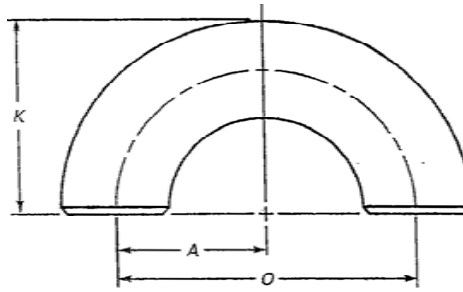
ASME B 16.9-2007



Nominal pipe size in	outside diameter at Bevel mm	center to center mm	Back to Face	SCH 10		SCH 20		SCH 30		SCH XS		SCH XXS		SCH STD		SCH 40		SCH 60		SCH 80		SCH 100		SCH 120		SCH 140		SCH 160		
				wall thk. mm	weight kg	wall thk. mm	weight kg	wall thk. mm	weight kg	wall thk. mm	weight kg	wall thk. mm	weight kg	wall thk. mm	weight kg	wall thk. mm	weight kg	wall thk. mm	weight kg	wall thk. mm	weight kg	wall thk. mm	weight kg	wall thk. mm	weight kg	wall thk. mm	weight kg	wall thk. mm	weight kg	wall thk. mm
	D	O	K	T		T		T		T		T		T		T		T		T		T		T		T		T		
1/2"	21.3	76	48							3.73		7.47		2.77		2.77				3.73									4.78	
3/4"	26.7	76	51							3.91		7.82		2.87		2.87				3.91									5.56	
1"	33.4	76	56							4.55	0.4	9.09	0.68	3.38	0.31	3.38	0.31			4.55	0.4								6.35	0.54
1.1/4"	42.2	95	70							5.08	1	10.15	1.8	3.68	0.76	3.68	0.76			5.08	1								6.35	1.36
1.1/2"	48.3	114	83							4.85	0.69	9.7	1.22	3.56	0.53	3.56	0.53			4.85	0.69								7.14	0.88
2"	60.3	152	106							5.54	1.85	11.07	3.36	3.91	1.36	3.91	1.36			5.54	1.85								8.74	2.8
2.1/2"	73	190	132							7.01	3.5	14.02	6.4	5.16	2.67	5.16	2.67			7.01	3.5								9.53	4.68
3"	88.9	229	159							7.62	5.62	15.24	10.34	5.49	4.19	5.49	4.19			7.62	5.62								11.13	8.04
3.1/2"	101.6	267	184							8.08	7.98			5.74	5.9	5.74	5.9			8.08	7.98									
4"	114.3	305	210							8.56	11	17.12	20.6	6.02	7.94	6.02	7.94			8.56	11				11.13	14.22			13.49	16.84
5"	141.3	381	262							9.53	19	19.05	36.2	6.55	13.5	6.55	13.5			9.53	19				12.7	25.3			15.88	30.84
6"	168.3	457	313							10.97	31.3	21.95	59.8	7.11	20.9	7.11	20.9			10.97	31.3				14.27	40.84			18.26	50.92
8"	219.1	610	414			6.35	33.48	7.04	37	12.7	63.5	22.23	108.8	8.18	41.9	8.18	41.9	10.31	53.32	12.7	63.5	15.09	76.38	18.65	90.92	20.62	101.48	23.01	111.86	
10"	273	762	518			6.35	52.44	7.8	64.08	12.7	100.2	25.4	194.82	9.27	74.4	9.27	74.4	12.7	100.2	15.09	120.62	18.26	143.64	21.44	167.08	25.4	194.82	28.58	216.38	
12"	323.8	914	619			6.35	74.92	8.38	98.24	12.7	143.8	25.4	281.74	9.53	109.3	10.31	120.14	14.27	164.52	17.48	198.72	21.44	240.54	25.4	281.74	28.58	313.64	33.32	359.8	
14"	355.6	1067	711	6.35	96.18	7.92	119.4	9.53	140.2	12.7	184.6			9.53	140.2	11.13	166.12	15.09	222.98	19.05	277.36	23.83	342.46	27.79	395.08	31.75	445.92	35.71	495.4	
16"	406.4	1219	813	6.35	125.9	7.92	156.4	9.53	183.7	12.7	242.2			9.53	183.7	12.7	242.2	16.66	322.58	21.44	408.34	26.19	493.7	30.96	576.1	36.53	669.66	40.49	734.3	
18"	457	1372	914	6.35	159.64	9.53	198.4	11.13	276.58	12.7	308			9.53	233.1	14.27	352.42	19.05	465.4	23.83	575.14	29.36	701.28	34.93	822.42	39.67	923.54	45.24	1039.18	
20"	508	1524	1016	6.35	197.34	9.53	288.9	12.7	381.5	12.7	381.5			9.53	288.9	15.09	459.92	20.62	622.04	26.19	782.06	35.54	957.42	38.1	1109.16	44.45	1276.54	50.01	1435	
22"	559	1676	1118	6.35	239.08	9.53	349.7	12.7	462.7	12.7	462.7			9.53	349.7			23.23	812.52	28.58	1032.7	34.93	1246.72	41.28	1454.08	47.63	1659.22	53.98	1879	
24"	610	1829	1219	6.35	284.8	12.7	417.3	14.27	630.72	12.7	533.4			9.53	417.3	17.48	768.2	24.61	1069	30.96	1329.42	38.89	1650.46	46.02	1928.2	52.37	2203.24	59.54	2502	

180° Return Bends Short Radius

ASME B 16.9-2007



Nominal pipe size in	outside diameter at Bevel mm	center to center mm	Back to Face	SCH 10	SCH 20	SCH 30	SCH XS	SCH XXS	SCH STD	SCH 40	SCH 60	SCH 80	SCH 100	SCH 120	SCH 140	SCH 160
				wall thk. mm	wall thk. mm	wall thk. mm	wall thk. mm	wall thk. mm	wall thk. mm	wall thk. mm	wall thk. mm	wall thk. mm	wall thk. mm	wall thk. mm	wall thk. mm	wall thk. mm
	D	O	K	T	T	T	T	T	T	T	T	T	T	T	T	T
1/2"	21.3						3.73	7.47	2.77	2.77		3.73				4.78
3/4"	26.7						3.91	7.82	2.87	2.87		3.91				5.56
1"	33.4	51	41				4.55	9.09	3.38	3.38		4.55				6.35
1.1/4"	42.2	64	52				5.08	10.15	3.68	3.68		5.08				6.35
1.1/2"	48.3	76	62				4.85	9.7	3.56	3.56		4.85				7.14
2"	60.3	102	81				5.54	11.07	3.91	3.91		5.54				8.74
2.1/2"	73	127	100				7.01	14.02	5.16	5.16		7.01				9.53
3"	88.9	152	121				7.62	15.24	5.49	5.49		7.62				11.13
3.1/2"	101.6	178	140				8.08		5.74	5.74		8.08				
4"	114.3	203	159				8.56	17.12	6.02	6.02		8.56		11.13		13.49
5"	141.3	254	197				9.53	19.05	6.55	6.55		9.53		12.7		15.88
6"	168.3	305	237				10.97	21.95	7.11	7.11		10.97		14.27		18.26
8"	219.1	406	313		6.35	7.04	12.7	22.23	8.18	8.18	10.31	12.7	15.09	18.65	20.62	23.01
10"	273	508	391		6.35	7.8	12.7	25.4	9.27	9.27	12.7	15.09	18.26	21.44	25.4	28.58
12"	323.8	610	467		6.35	8.38	12.7	25.4	9.53	10.31	14.27	17.48	21.44	25.4	28.58	33.32
14"	355.6	711	533	6.35	7.92	9.53	12.7		9.53	11.13	15.09	19.05	23.83	27.79	31.75	35.71
16"	406.4	813	610	6.35	7.92	9.53	12.7		9.53	12.7	16.66	21.44	26.19	30.96	36.53	40.49
18"	457	914	686	6.35	9.53	11.13	12.7		9.53	14.27	19.05	23.83	29.36	34.93	39.67	45.24
20"	508	1016	762	6.35	9.53	12.7	12.7		9.53	15.09	20.62	26.19	35.54	38.1	44.45	50.01
22"	559	1118	838	6.35	9.53	12.7	12.7		9.53		23.23	28.58	34.93	41.28	47.63	53.98
24"	610	1219	914	6.35	12.7	14.27	12.7		9.53	17.48	24.61	30.96	38.89	46.02	52.37	59.54