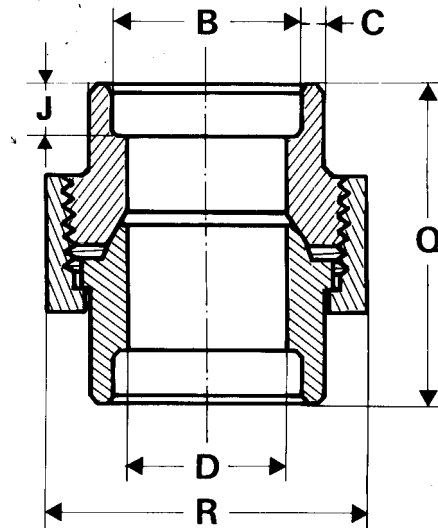


ANSI B 16.11

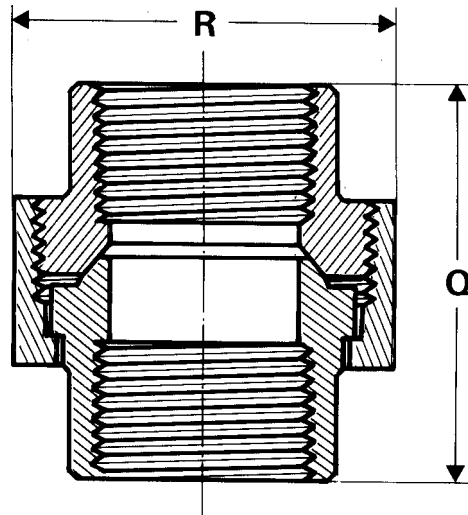
Female - Female Unions
3000 / 6000 Lbs



Nominal Pipe Size	3000				6000			
	Q		R		Q		R	
	mm	inches	mm	inches	mm	inches	mm	inches
1/4	42.5	1.67	36.0	1.42	54.0	2.13	46.0	1.81
3/8	47.5	1.87	41.0	1.62	57.0	2.25	51.0	2.00
1/2	52.0	2.05	46.0	1.81	69.0	2.72	60.0	2.36
3/4	57.0	2.25	56.0	2.20	72.0	2.84	72.0	2.84
1	63.0	2.48	65.0	2.56	80.0	3.15	80.0	3.15
1.1/4	70.0	2.76	78.0	3.07	89.0	3.50	94.0	3.70
1.1/2	78.0	3.07	86.0	3.39	108.0	4.25	100.0	3.94
2	89.0	3.50	103.0	4.06	114.0	4.49	122.0	4.80
2.1/2	114.0	4.49	122.0	4.80				
3	130.0	5.12	144.0	5.67				
4	150.0	5.91	180.0	7.09				

ANSI B 16.11

Female - Female Unions
3000 / 6000 Lbs



Nominal Pipe Size	3000				6000			
	Q		R		Q		R	
	mm	inches	mm	inches	mm	inches	mm	inches
1/4	42.5	1.76	36.0	1.42	54.0	2.13	46.0	1.81
3/8	47.5	1.87	41.0	1.62	57.0	2.25	51.0	2.00
1/2	52.0	2.05	46.0	1.81	69.0	2.72	60.0	2.36
3/4	57.0	2.25	56.0	2.20	72.0	2.84	72.0	2.84
1	63.0	2.48	65.0	2.56	80.0	3.15	80.0	3.15
1.1/4	70.0	2.76	78.0	3.07	89.0	3.50	94.0	3.70
1.1/2	78.0	3.07	86.0	3.39	108.0	4.25	100.0	3.94
2	89.0	3.50	103.0	4.06	114.0	4.49	122.0	4.80
2.1/2	114.0	4.49	122.0	4.80	130.0	5.13	144.0	5.67
3	130.0	5.12	144.0	5.67	150.0	5.91	180.0	7.09
4	150.0	5.91	180.0	7.09				