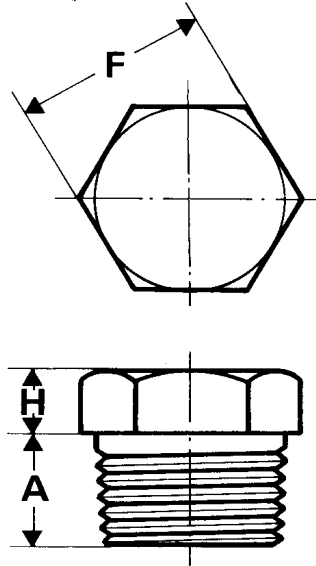


# ANSI B 16.11

Hexagonal Head Bushings  
3000 / 6000 Lbs

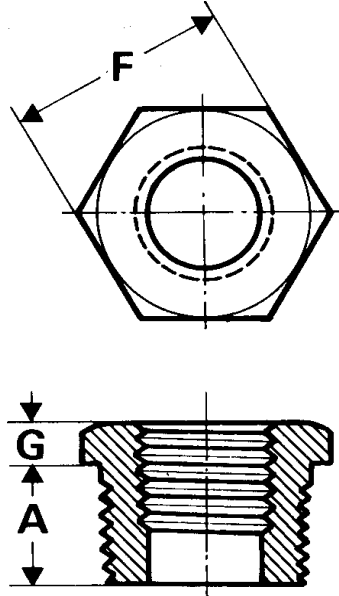


Nominal Pipe Size	3000 & 6000					
	A minimal		F nominal		H minimal	
	mm	inches	mm	inches	mm	inches
1/4	11.0	0.44	16.0	0.62	6	0.25
3/8	12.5	0.50	17.5	0.69	8	0.31
1/2	14.5	0.56	22.0	0.88	8	0.31
3/4	16.0	0.62	27.0	1.06	10	0.38
1	19.0	0.75	35.0	1.38	10	0.38
1.1/4	20.5	0.81	44.5	1.75	14	0.56
1.1/2	20.5	0.82	51.0	2.00	16	0.62
2	22.0	0.88	63.5	2.50	17	0.69
2.1/2	27.0	2.06	76.0	3.00	19	0.75
3	28.5	1.12	89.0	3.50	21	0.81
4	32.0	1.25	117.5	4.62	25	1.00



# ANSI B 16.11

Hexagonal Head Bushings  
3000 / 6000 Lbs



Nominal pipe size	3000 & 6000					
	A minimal		F nominal		G minimal	
	mm	inches	mm	inches	mm	inches
3/8x1/4	12.5	0.50	17.5	0.69	4	0.16
1/2x3/8	14.5	0.56	22.0	0.88	5	0.19
1/2x1/4	14.5	0.56	22.0	0.88	5	0.19
3/4x1/2	16.0	0.62	27.0	1.06	6	0.22
3/4x1/4	16.0	0.62	27.0	1.06	6	0.22
1x3/4	19.0	0.75	35.0	1.38	6	0.25
1x1/2	19.0	0.75	35.0	1.38	6	0.25
1x1/4	19.0	0.75	35.0	1.38	6	0.25
1.1/4x1	20.5	0.81	44.5	1.75	7	0.28
1.1/2x1	20.5	0.81	51.0	2.00	8	0.31
1.1/2x3/4	20.5	0.81	51.0	2.00	8	0.31
1.1/2x1/2	20.5	0.81	51.0	2.00	8	0.31
2x1.1/2	22.0	0.88	63.5	2.50	9	0.34
2x1	22.0	0.88	63.5	2.50	9	0.34
2.1/2x2	27.0	1.06	76.0	3.00	10	0.38
3x2	28.5	1.12	89.0	3.50	10	0.41
4x3	32.0	1.25	117.5	4.62	13	0.50
4x2	32.0	1.25	117.5	4.62	13	0.50